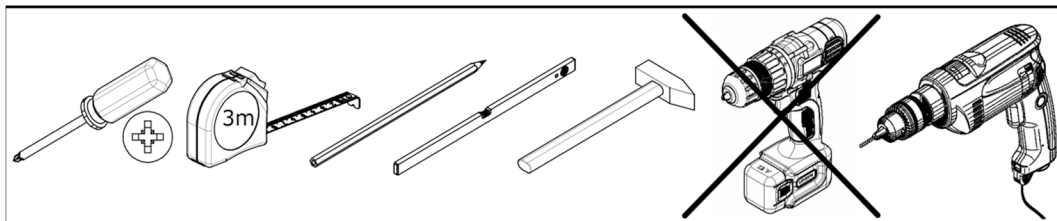
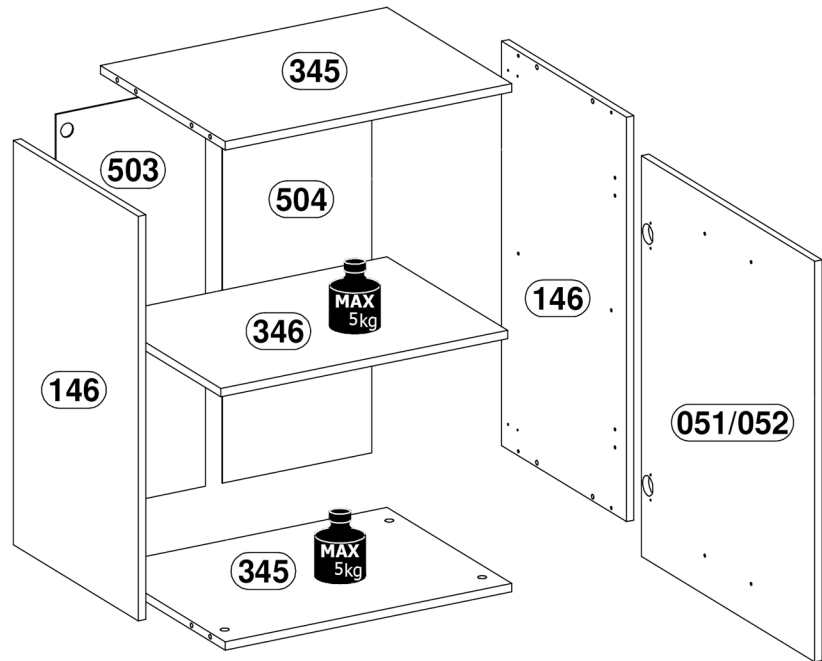
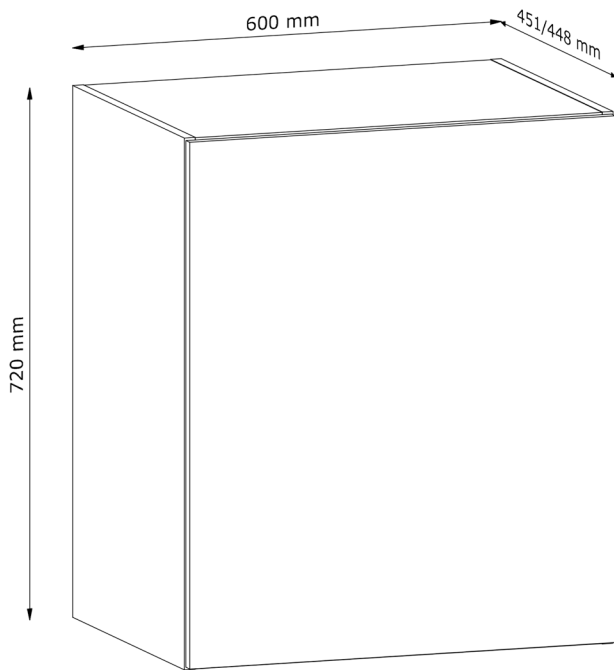


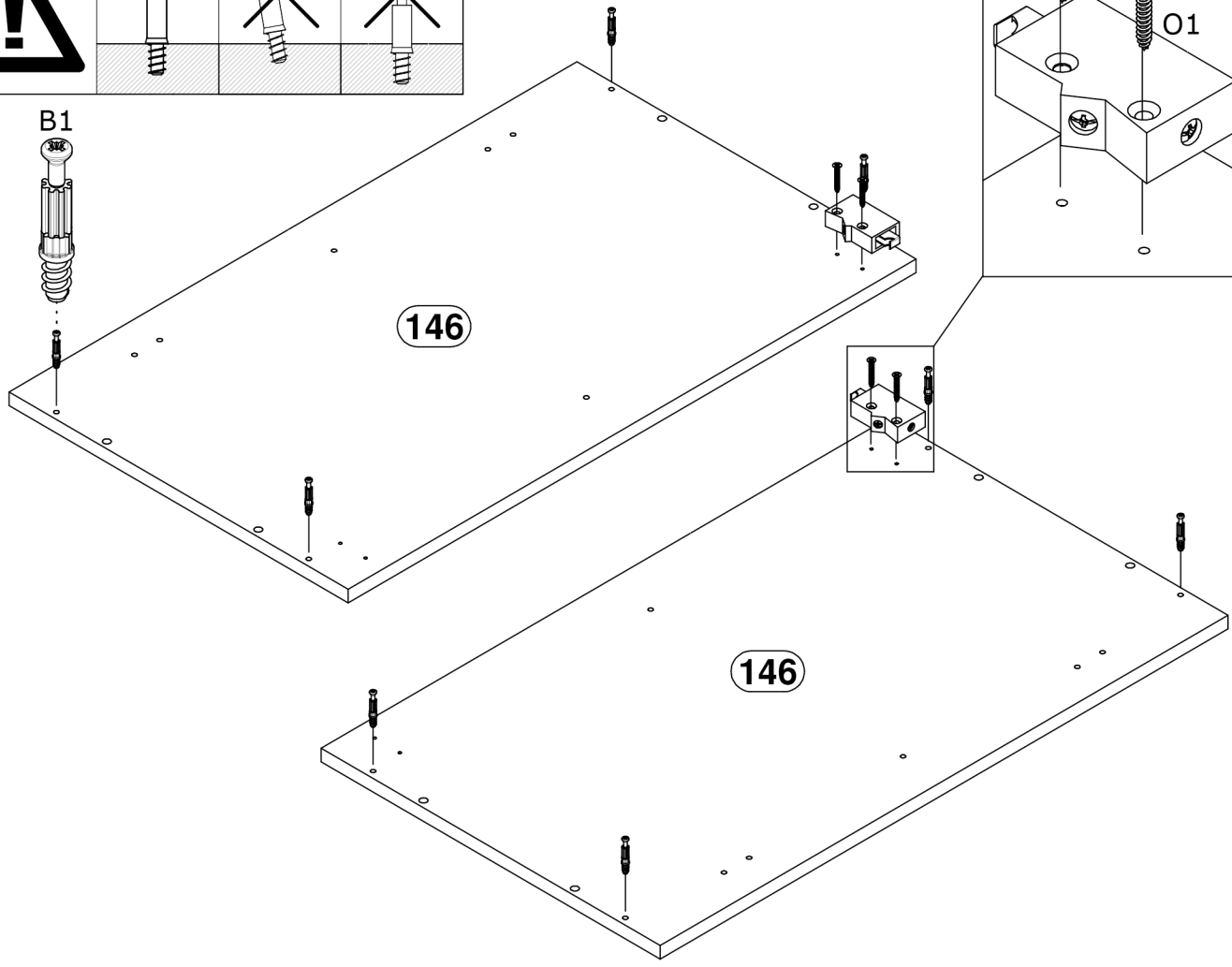
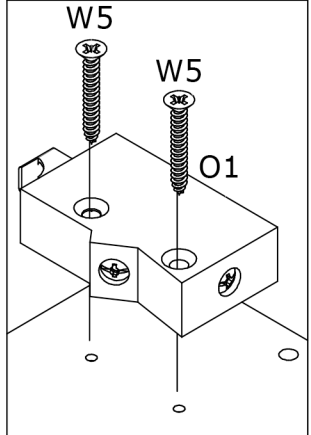
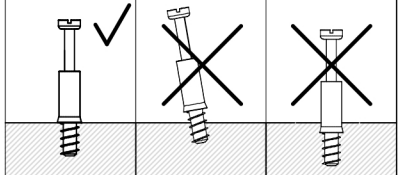
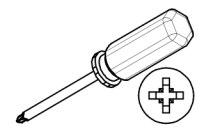
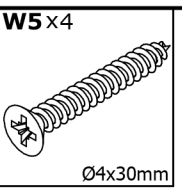
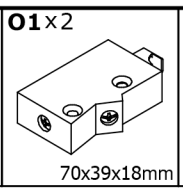
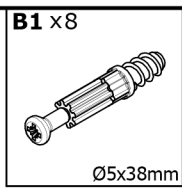
LANGEN

G60G

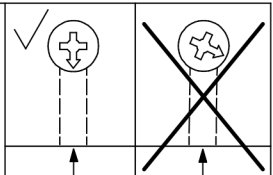
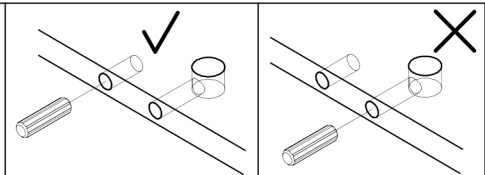
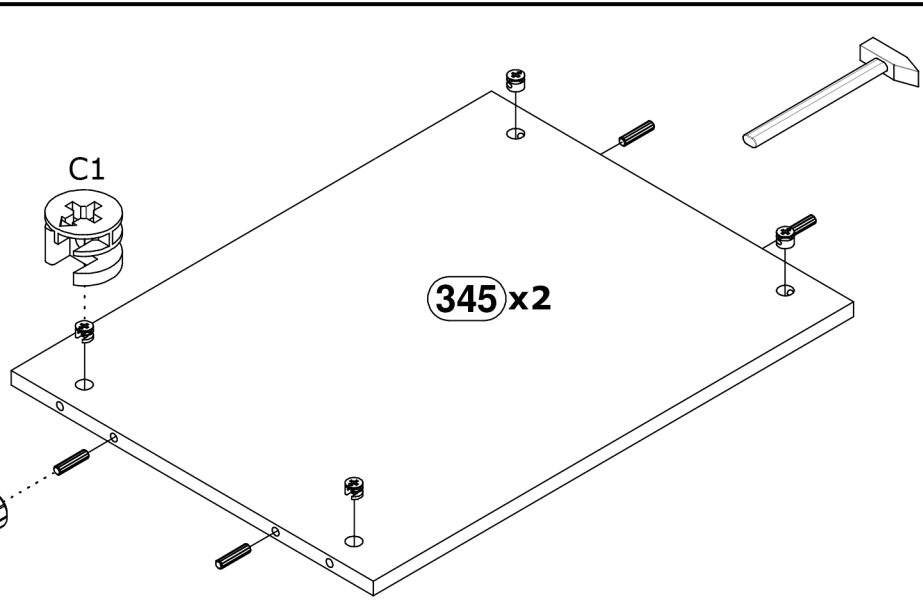
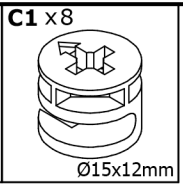
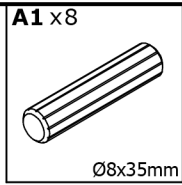


A1 x 8 Ø8x35mm	B1 x 8 Ø5x38mm	C1 x 8 Ø15x12mm	E1 x 4 Ø5x16mm	G1 x 28 26mm																																										
H4 x 1 715mm	I20 x 1 83x21x11mm	J10 x 8 Ø21mm	O1 x 2 70x39x18mm	O5 x 2 76x32x6mm																																										
U19 x 1 300mm	W2 x 6 Ø3,5x16mm	W5 x 6 Ø4x30mm	Y1 x 2 Ø8x1,5mm	Z1 x 2 50x40, H=2																																										
Z3 x 2 Ø35, ZK0	<table border="1"> <thead> <tr> <th>No.</th> <th>L[mm]</th> <th>W[mm]</th> <th>H[mm]</th> <th>PCS</th> <th>BOX</th> </tr> </thead> <tbody> <tr> <td>051/052</td> <td>713</td> <td>596</td> <td>15/18</td> <td>1</td> <td>2/2</td> </tr> <tr> <td>146</td> <td>720</td> <td>430</td> <td>15</td> <td>2</td> <td>1/2</td> </tr> <tr> <td>345</td> <td>570</td> <td>430</td> <td>15</td> <td>2</td> <td>1/2</td> </tr> <tr> <td>346</td> <td>570</td> <td>415</td> <td>15</td> <td>1</td> <td>1/2</td> </tr> <tr> <td>503</td> <td>716</td> <td>297</td> <td>2,5</td> <td>1</td> <td>1/2</td> </tr> <tr> <td>504</td> <td>716</td> <td>297</td> <td>2,5</td> <td>1</td> <td>1/2</td> </tr> </tbody> </table>				No.	L[mm]	W[mm]	H[mm]	PCS	BOX	051/052	713	596	15/18	1	2/2	146	720	430	15	2	1/2	345	570	430	15	2	1/2	346	570	415	15	1	1/2	503	716	297	2,5	1	1/2	504	716	297	2,5	1	1/2
No.	L[mm]	W[mm]	H[mm]	PCS	BOX																																									
051/052	713	596	15/18	1	2/2																																									
146	720	430	15	2	1/2																																									
345	570	430	15	2	1/2																																									
346	570	415	15	1	1/2																																									
503	716	297	2,5	1	1/2																																									
504	716	297	2,5	1	1/2																																									

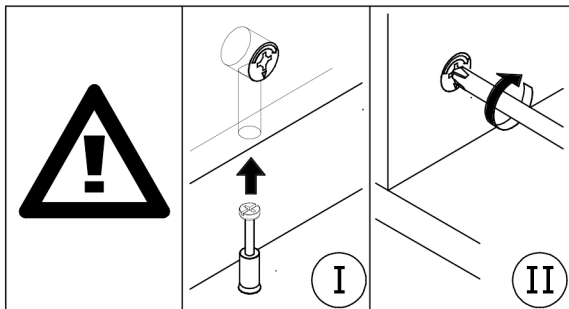
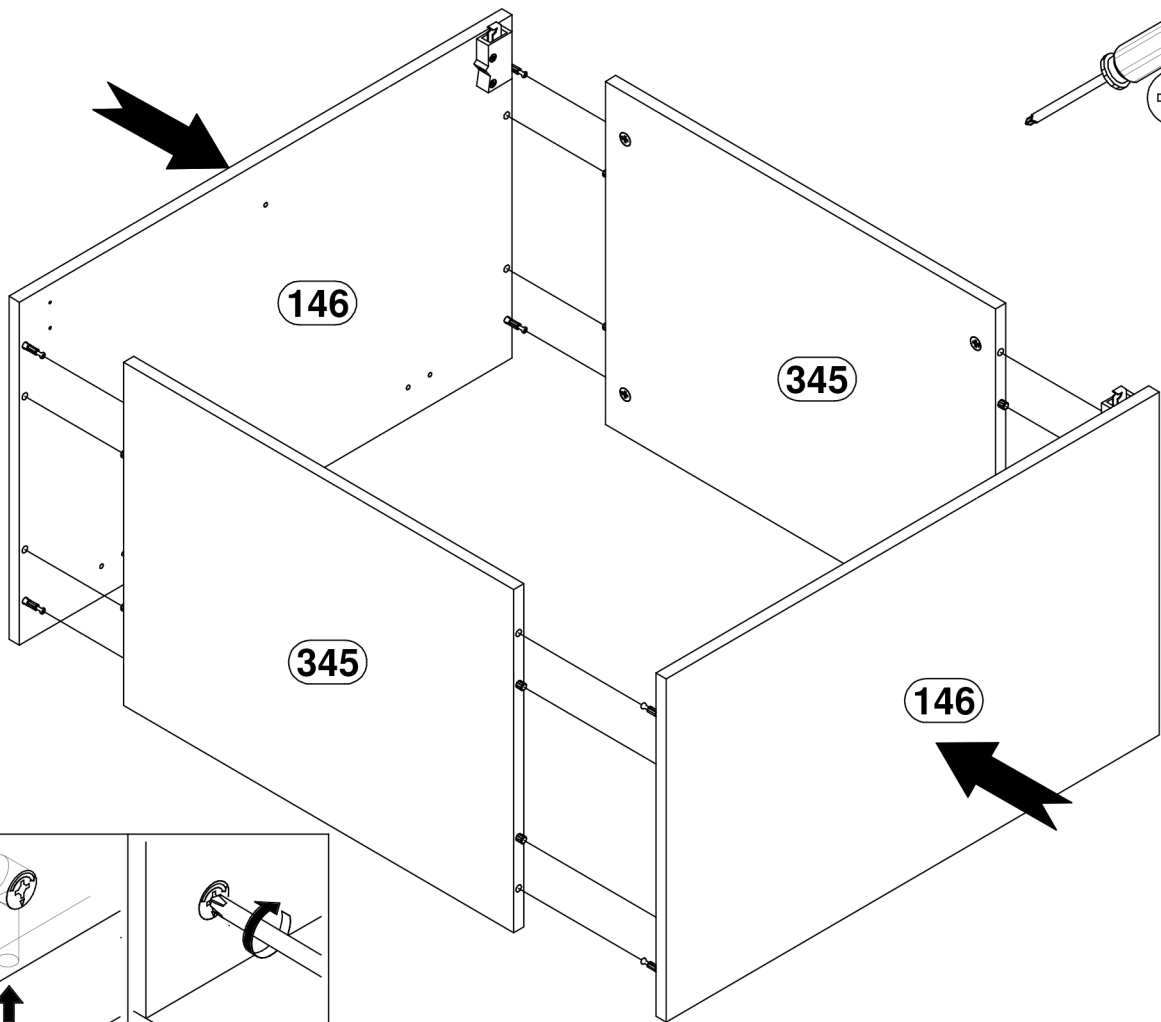
1



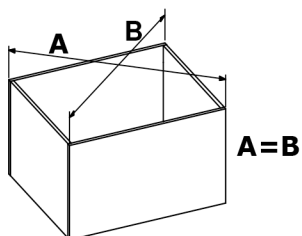
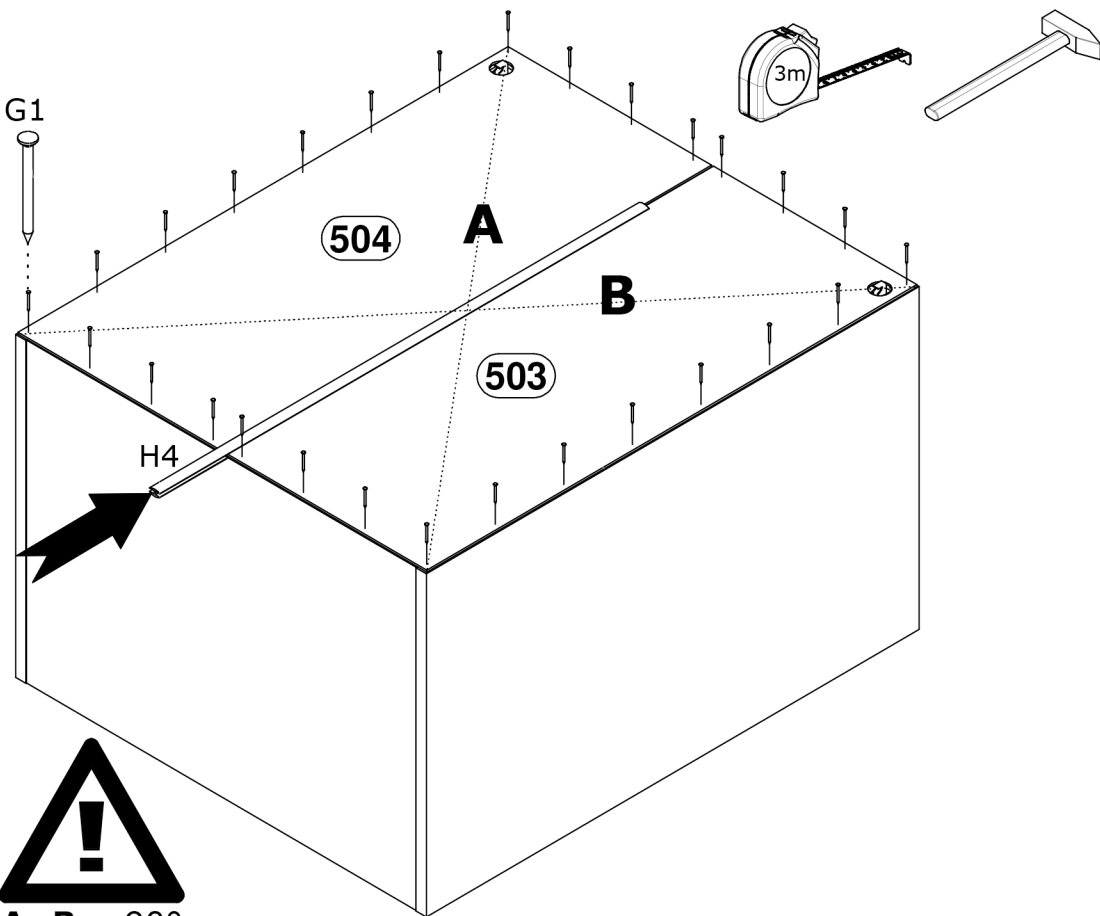
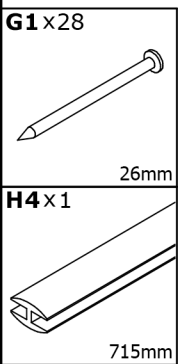
2



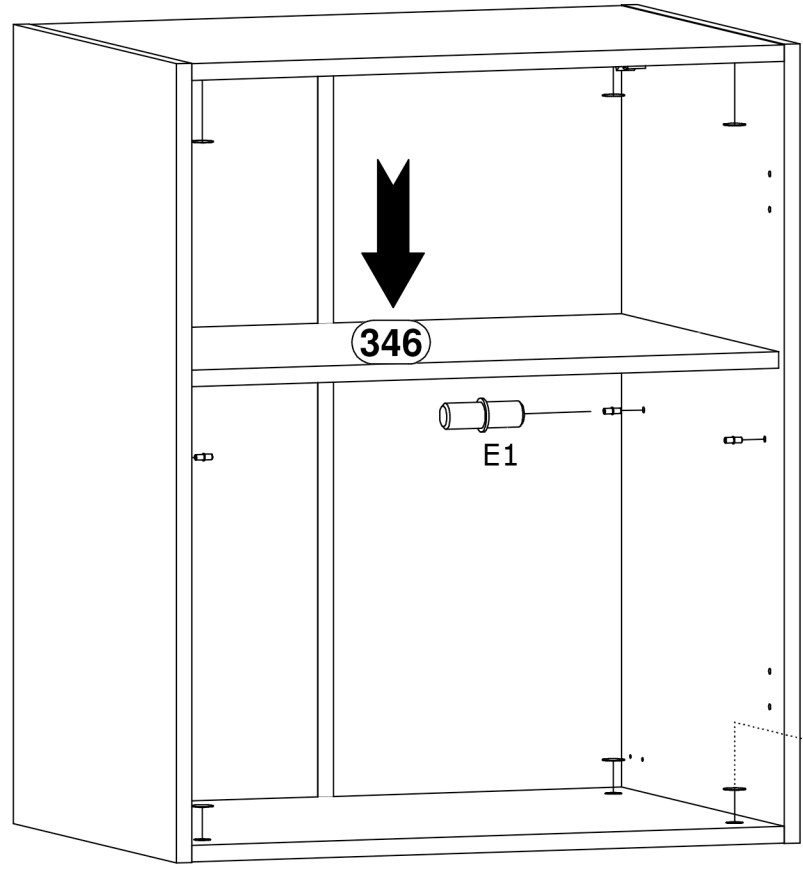
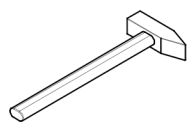
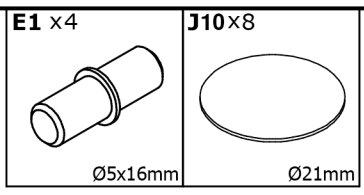
3



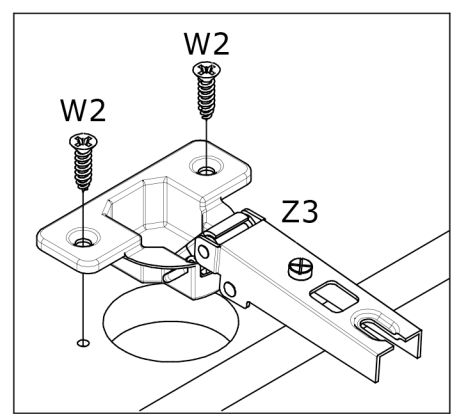
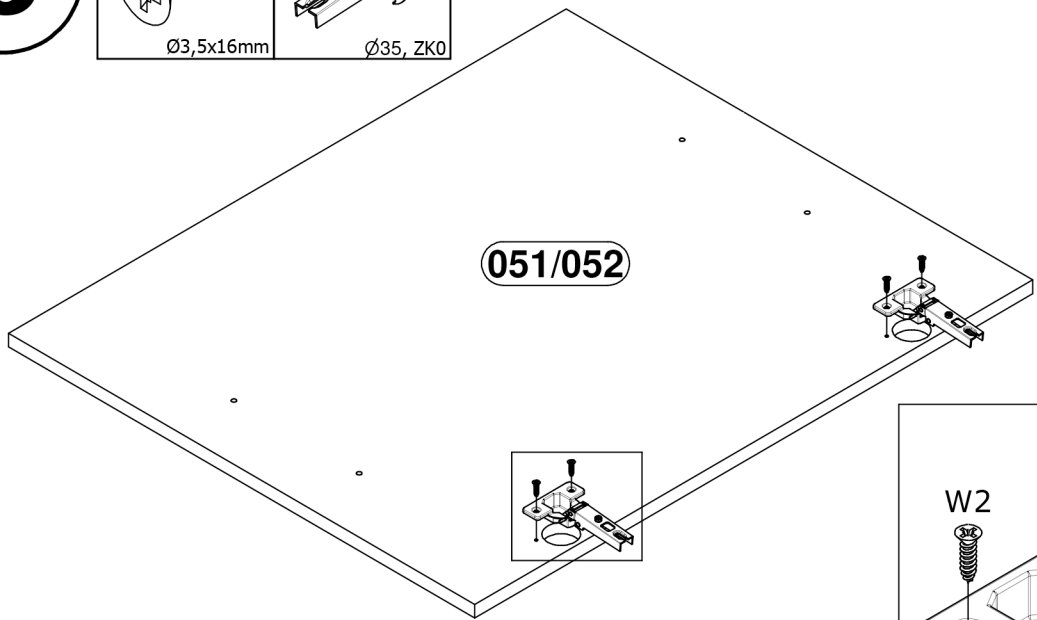
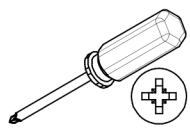
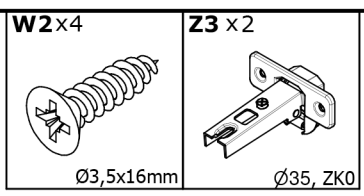
4



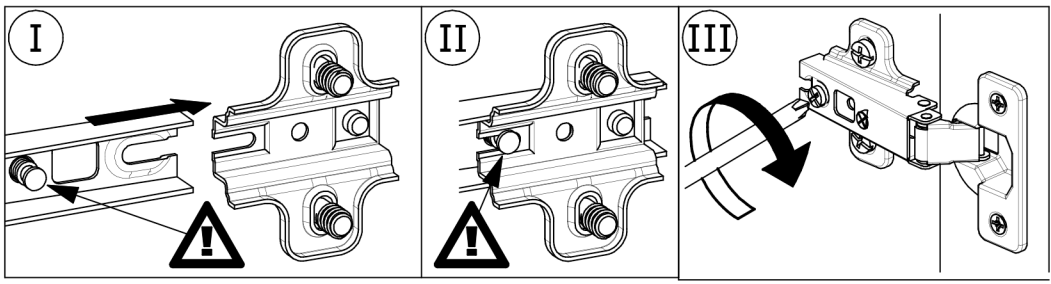
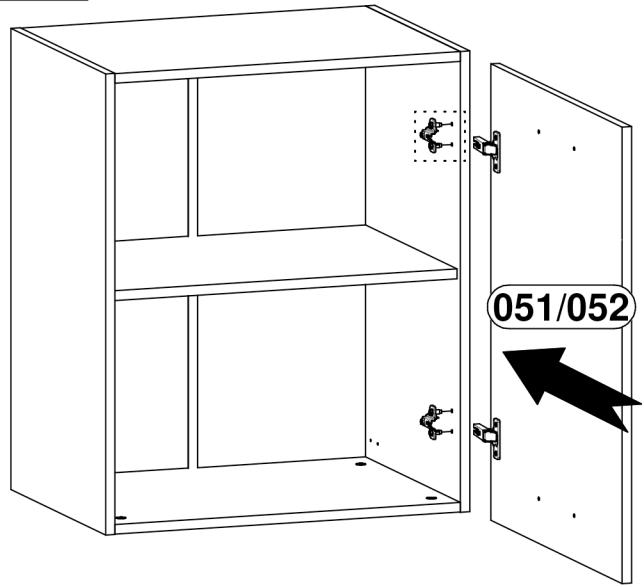
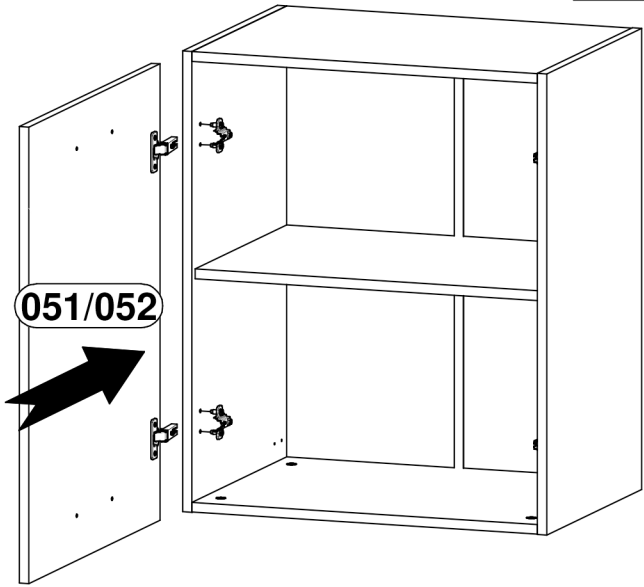
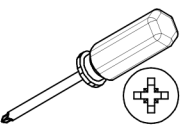
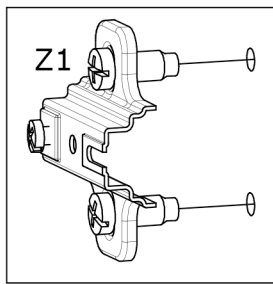
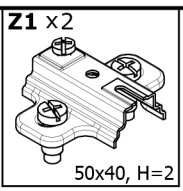
5



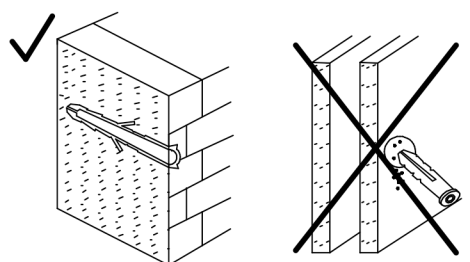
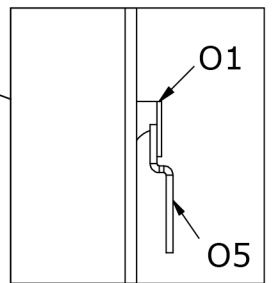
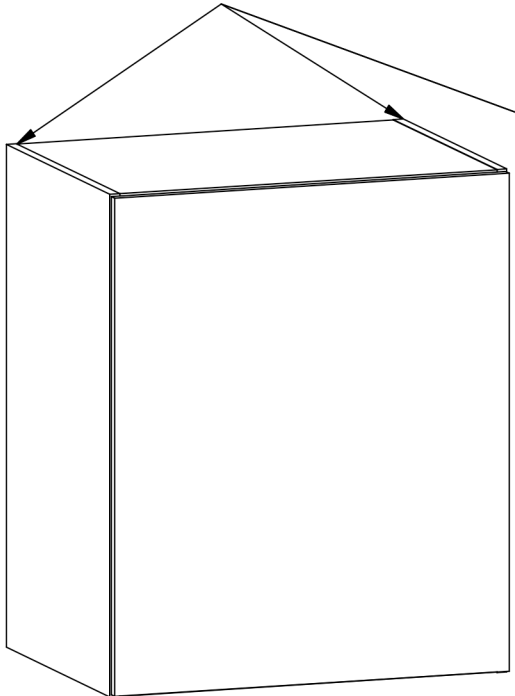
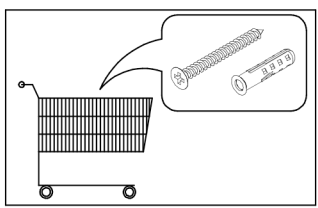
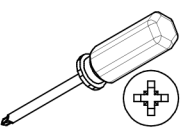
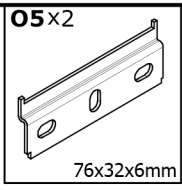
6



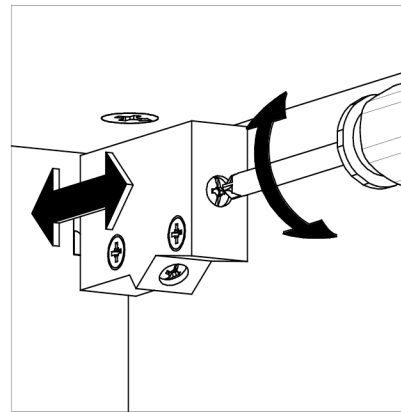
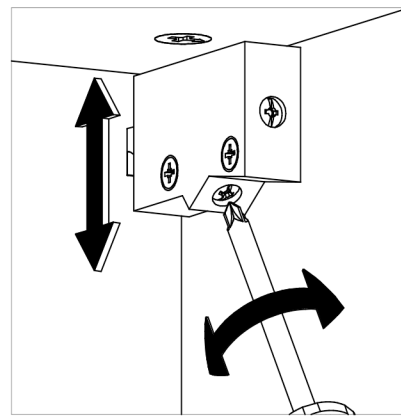
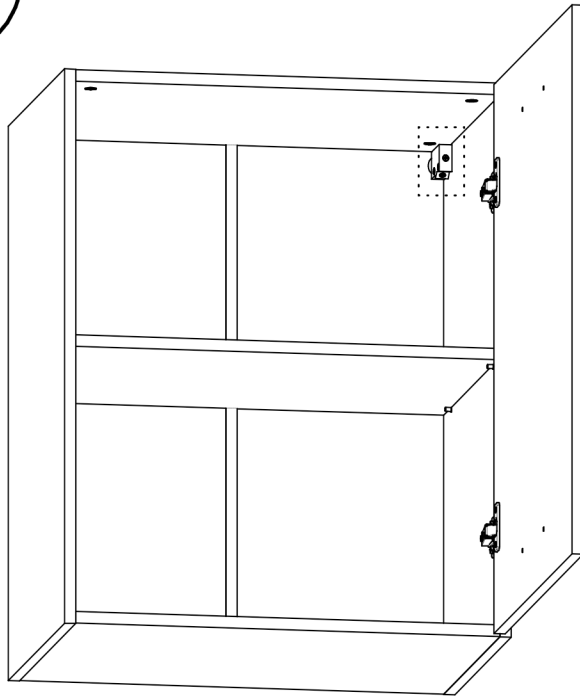
7



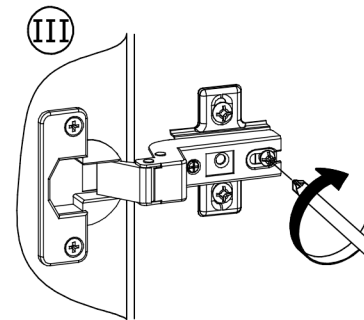
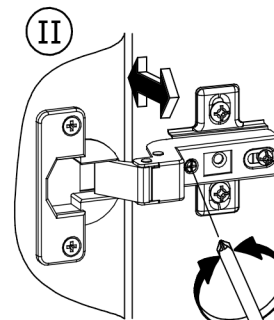
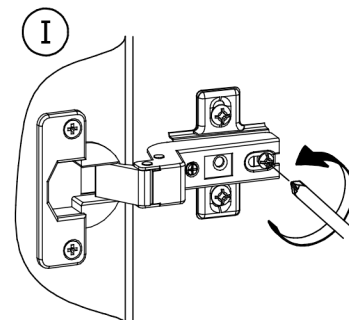
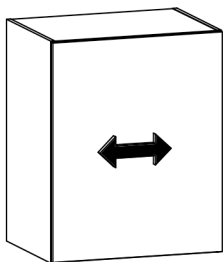
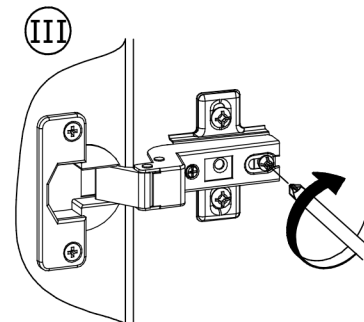
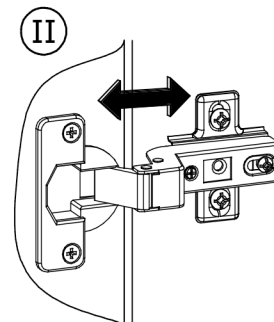
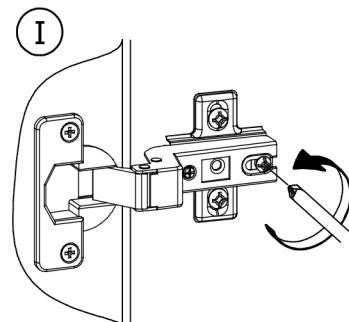
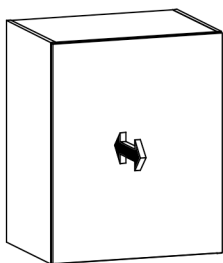
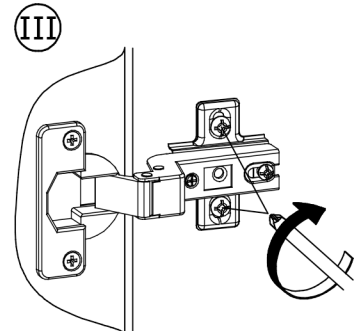
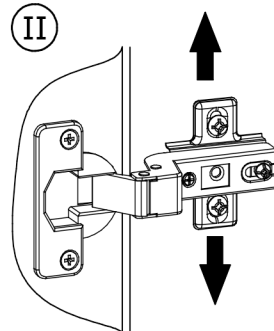
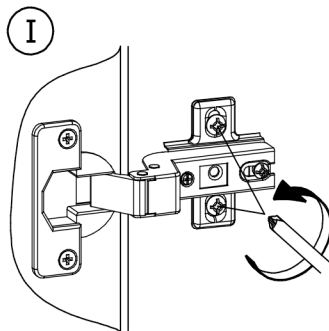
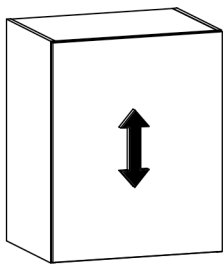
8



9



10

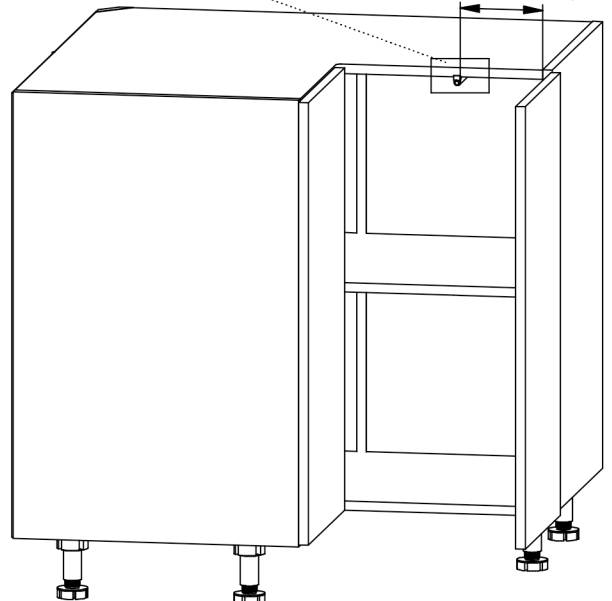
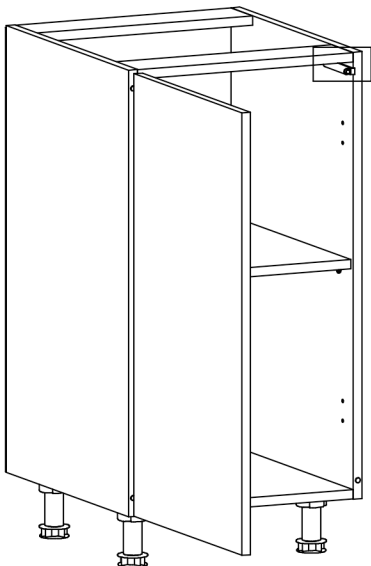
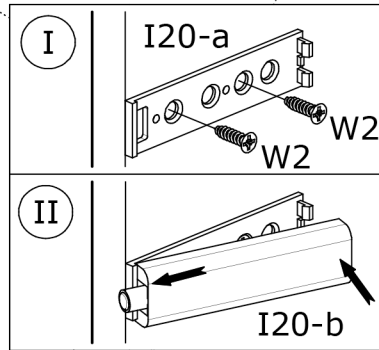
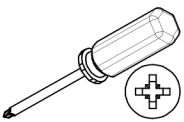
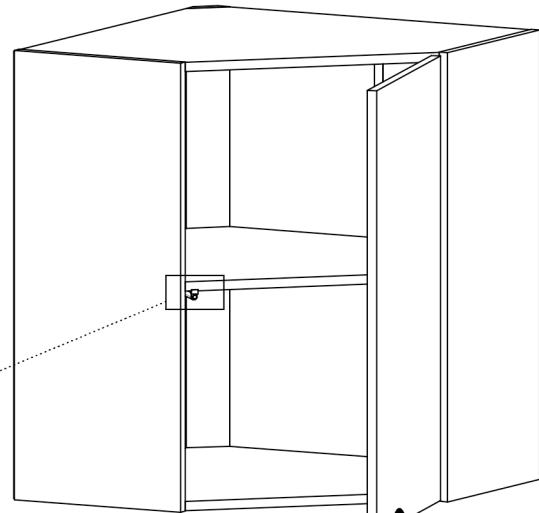
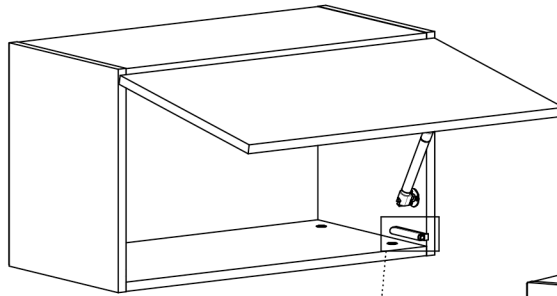
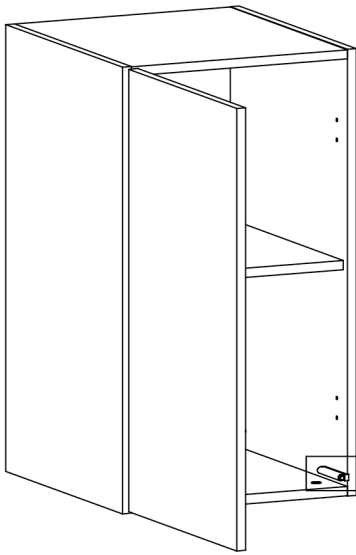
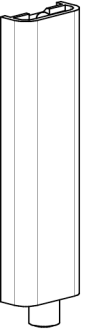
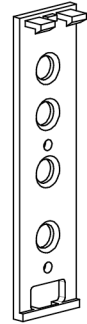
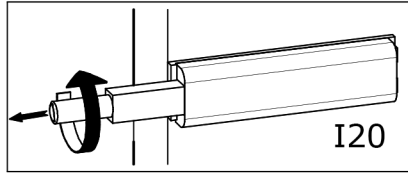
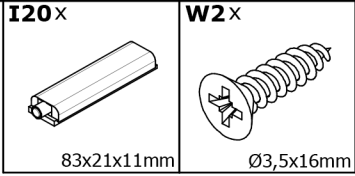


?

A

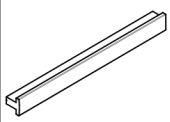
B

A



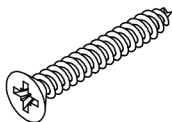
B

U18 / U19



200 / 300mm

W5

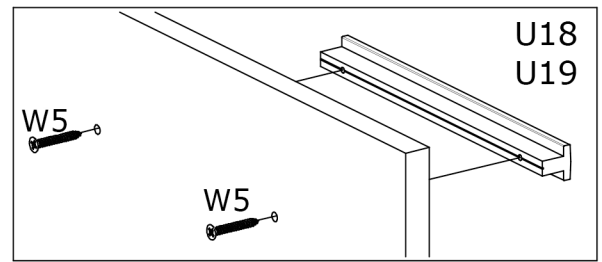
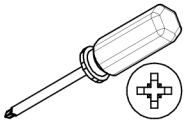


Ø4x30mm

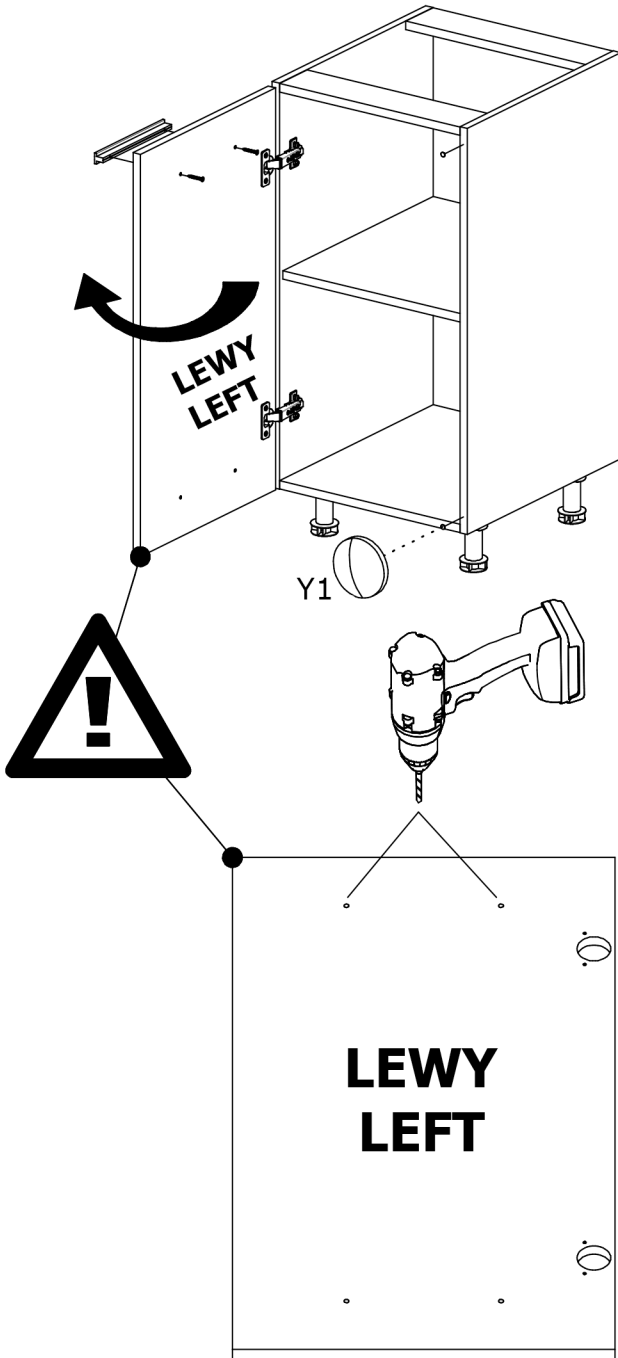
Y1



Ø8x1,5mm



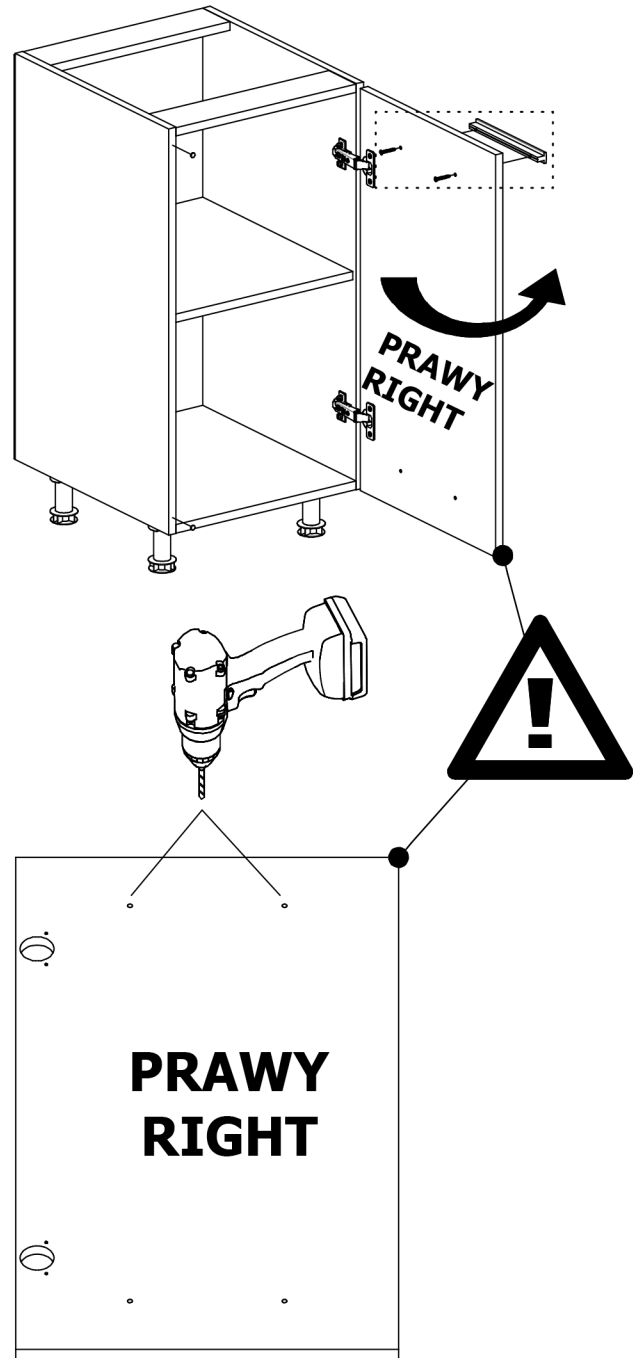
U18
U19



LEWY
LEFT

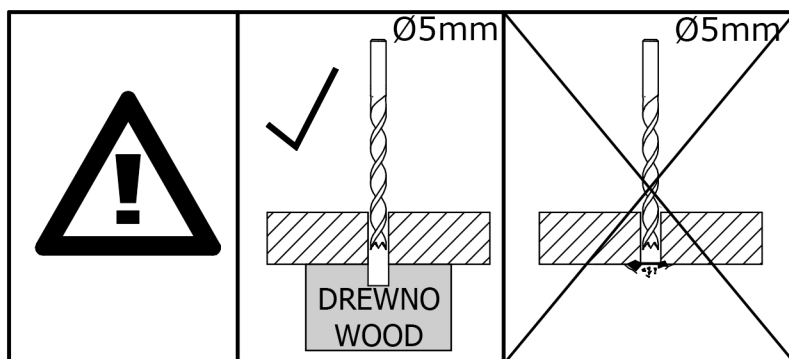
Y1

LEWY
LEFT



PRAWY
RIGHT

PRAWY
RIGHT



Ø5mm

DREWNO
WOOD

Ø5mm